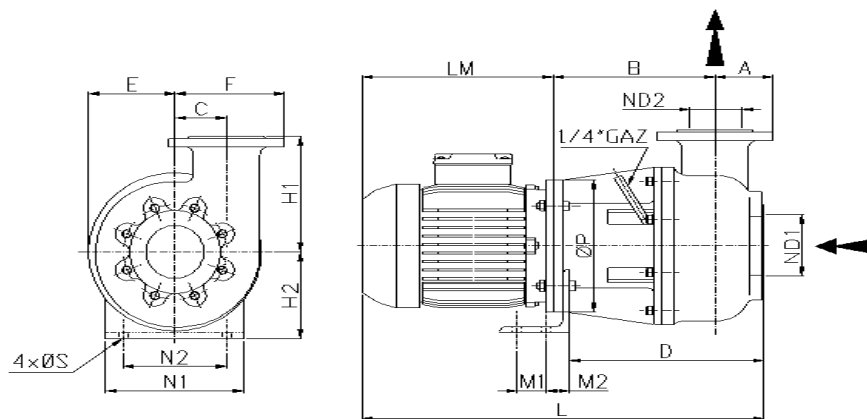
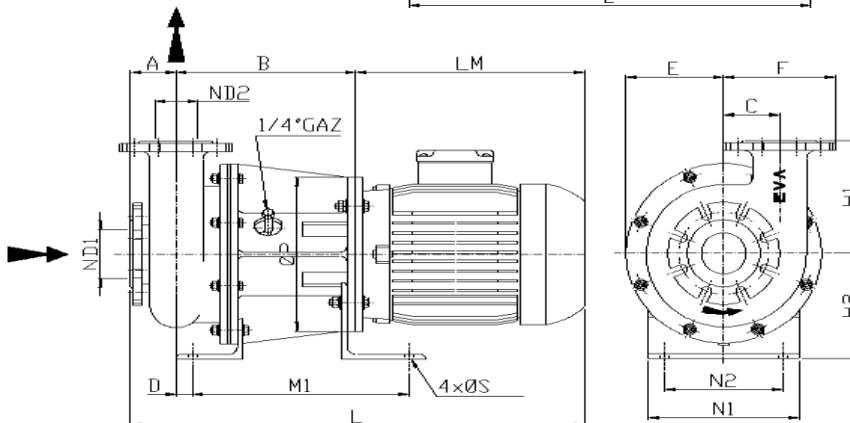


HM 80



HM 80 NH



Type	Code	ND1	ND2	P kW	N rpm	A	B	C	D	E	F	L	LM	P	H1	H2	M1	M2	N1	N2	Weight Poids kg	Frame / Type motor	Drawing Plan
HM80	H080M0M0000	ND80 NP16	ND80 NP16	2.2	1450	75	281	100	254	150	200	672	316	250	220	165	50	40	240	180	86	100L	PE 9048
				3								672	316								90		
				4								689	333								96		
				5.5								728	372	118							132M		
				7.5								766	410	132									
				9.2								766	410	132							160M		
				11								844	488	170									
				15								888	532	194									
				107																			
				HM80 NH								H080M0H0000	ND80 NP16	DN80 PN16							2.2	1450	
3	719	316	105																				
4	635	232	114																				
5.5	775	372	127		132S																		
7.5	813	410	141																				
9.2	813	410	141		132M																		
11	891	488	180																				
15	935	532	200																				