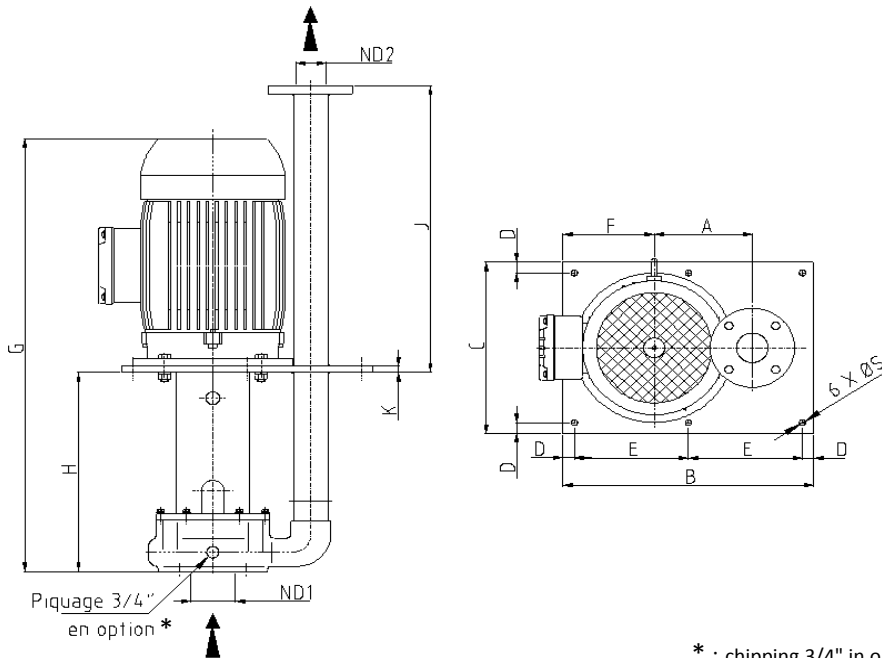


MONOBLOC CANTILEVER PUMP / POMPE VERTICALE MONOBLOC
DIMENSIONAL DATA / FICHE DIMENSIONNELLE



* : chipping 3/4" in option

Type	Code	ND1	ND2	P kW	N rpm	A	B	C	D	E	F	G	H	J	K	S	Weight Poids kg	Frame / Type motor	Drawing Plan
SVD 65 SCM HSP 465	V065M0D0465	ND65 NP16	ND65 NP16	2.2	1500	215	550	400	25	250	200	796	465	670	15	14	99	100L	PE 13344
				3								796					102		
				4								813					115	112M	
				5.5								813					130	132S	
				7.5								890					144	132M	
				9.2	890							142					101	100L	PE 13345
				3	796							101					100L		
				4	813							112					112M		
				5.5	813							132					132S		
				7.5	890							138					132M		
				9.2	890							148					132M	PE 13345	
				11	968							169					160M		
				15	1012							179					160M		PE 13275