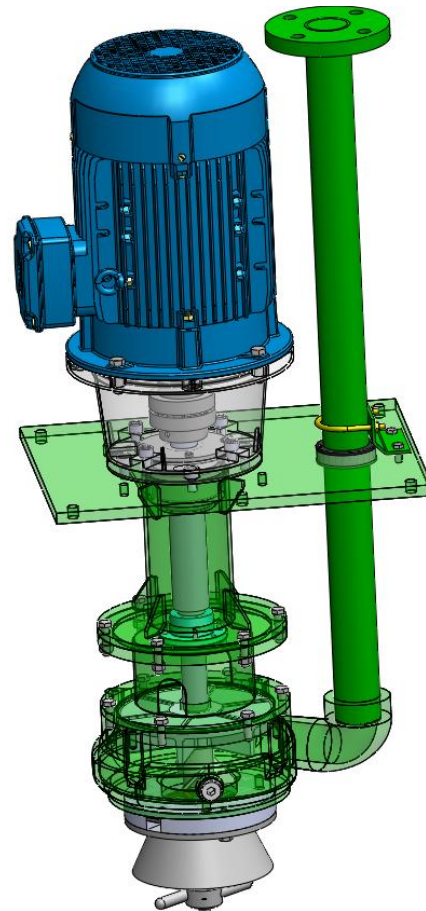




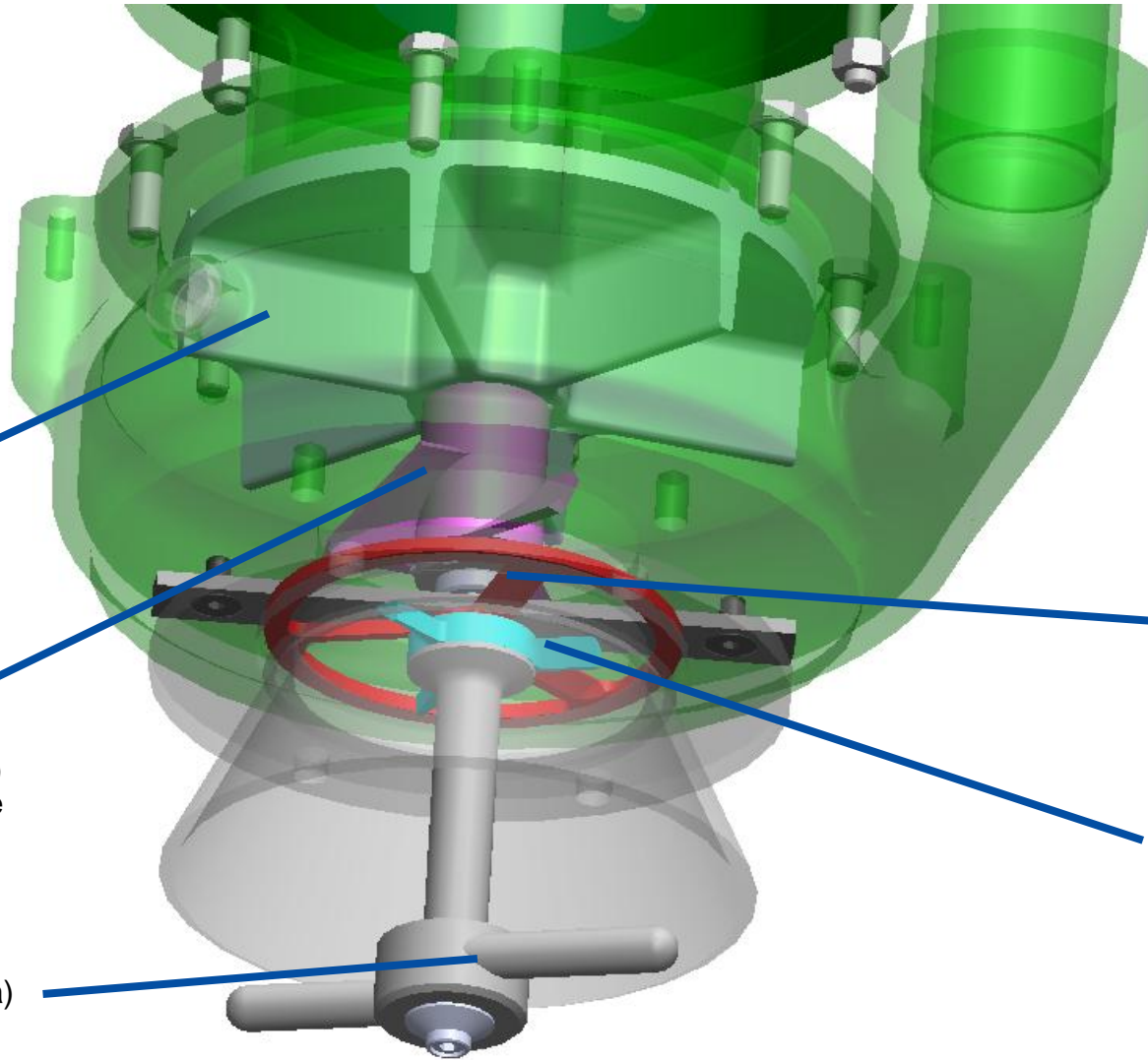
**Pumpback pump with vortex effect and chip breaker integrated**  
**Innovation designed by EVA**





**Application and Advantages:**

- Designed for heavy duty application
- Supplied with different high performance parts for Handle – crush and cut high volume of aluminum and carbon steel chips
- Uncloggable
- Design compact
- Works independently without supervision
- Large range of delivery Flow :up 140 m3/h



Open Impeller(Patented EVA)  
with vortex effect for High  
performance of lifting with high  
volume of chips.

Inducer with special design (Patented Eva)  
Function: permitt a priming on the machine  
exit with very low level < 250 mm  
Wear resistant treatment

Blender with special design (Patented Eva)  
Function: Ejects foreign parts-Breaks  
aluminium chips agglomerated into ball.

Cutting Mechanism with knife 3  
or 2 treated cutting blade  
Special design for high  
performance of cutting on  
aluminium chips ( 2 blades)  
and carbon steel chips ( 3  
blades)

Axial wheel with 3 blades  
High performance mounted  
on knife  
Function: Crushes and  
breaks Alumimium or  
Carbon steel chips