

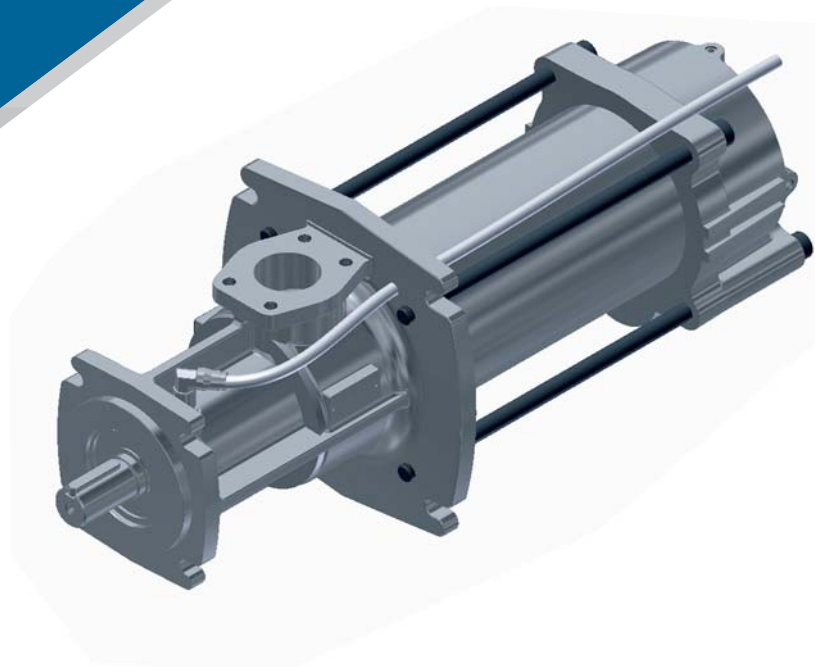


PUMPS VORTEX  
AND CENTRIFUGAL  
PUMPS

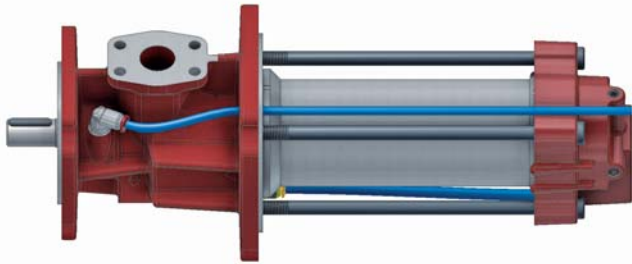
THREE SCREW PUMP

**PWO**

*Cooling and Lubricating*



INNOVATION - RELIABILITY - PERFORMANCE and FRENCH TOUCH



**Decades of experience by SEIM in Cooling and Lubricating applications find its finalization with the PWO Series.** This Series, born with the precedent success for the PO6 Series in our minds-by which receive the the succesfull characteristics by integrating them with new features - last but not least an implemented hydraulic efficiency which provides outstanding performances.  
In this catalogue you will be guided to the selection of the PWO Series pump which most fit to your application.

**PWO series features:**

- high efficiency
- high reliability
- low noise level
- self priming capability
- minimum pulsations

**Above characteristics and the news introduced by the PWO Series, like but not limited to:**

- increased screw hardness
- balanced idler screws, with bushing
- hardened cast iron body (also available in different grade)

extend the range of application for this Product and make PWO Series the preferred solution in all applications for high pressure coolant in machine tools.

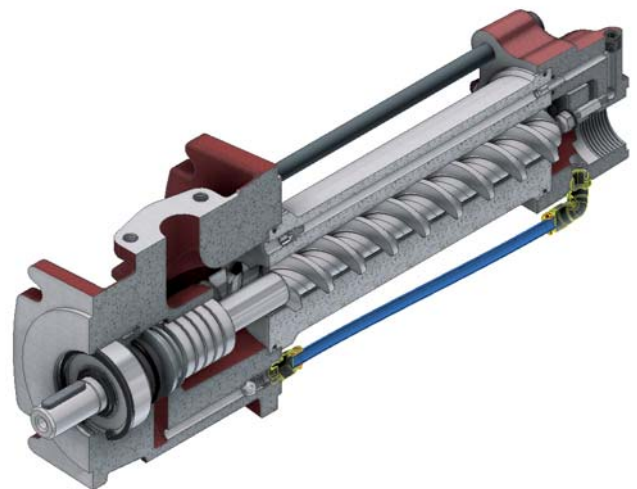
Systems controlled by inverter [also offered by Seim] take full advantage of this pump series and open a venues to savings in energy cost and coolant waste. SEIM PWO Series pump finds natural complement when using a SEIM valve – should it be safety, or control. Contact SEIM to receive dedicated documentation, which includes also valve blocks for direct mounting onto the pump delivery port.

**TYPICAL SEIM SUPPLY INCLUDES:**

- pump matched with electric motor and drive coupling
- safety and/or control valve (option)
- tank lid complete with pipes and fittings for submersible installation (option).

**TYPICAL APPLICATIONS**

- Cooling and Lubricating on metal working machines\*
  - Deep hole drilling machines\*
  - General purpose pumping for low lubricating property fluids
  - Central units for heat exchange and energy recover
  - Light fuel oils recirculation
  - Tanks filling and oils/fuel oils transfer.
  - All the applications in driving and high pressure lubrication where the use of the cast iron for the construction of the pump is a must (e.g.: MARINE and POWER GENERATION).
- \* 5% oil (minimum)





PUMPS VORTEX  
AND CENTRIFUGAL  
PUMPS

PRESSURE RELIEF VALVE

**VCP**  
**EV3**  
**BVPA**  
**VMPI**



INNOVATION - RELIABILITY - PERFORMANCE and FRENCH TOUCH



### VCP

**Control valve**  
**For hydraulic oils, lubricating oils,**  
**fuel oils and cooling lubricants**  
**emulsions.**

*Control is with pneumatic circuit :*

- ON/OFF function changes from free discharge to regulated pressure.
- Max pressure is controlled setting the pneumatic pressure.
- Pneumatic control-setting group can be also remote mounted from valve (suggested max 1 m tube).

*For detailed functional characteristics, please contact our sales department.*



### BVPA

**Pressure relief block valves.**

*Typical applications:*  
 High pressure cooling and lubricating circuits for machine tools and deep hole drilling.

*For detailed functional characteristics, please contact our sales department.*



### VMPI

**Pressure relief valve VMPI**  
**(pilot - operated)**

*Typical applications:*  
 For hydraulic oils, lubricating oils, fuel and cooling lubricating oils,

*For detailed functional characteristics, please contact our sales department.*



### EV3

**3 way valve with pressure control.**  
**For hydraulic oils, lubricating**  
**oils, fuel oils and**  
**cooling lubricants emulsions.**

*Control is with pneumatic circuit:*

- ON / OFF function changes from free discharge to regulated pressure
- max pressure is controlled setting the pneumatic pressure
- pneumatic control-setting group can be also remote mounted from - valve suggested max 1 m tube).
- option: proportional control valve pressure and on-off functions controlled by PLC or external control.

*For detailed functional characteristics, please contact our sales department.*

